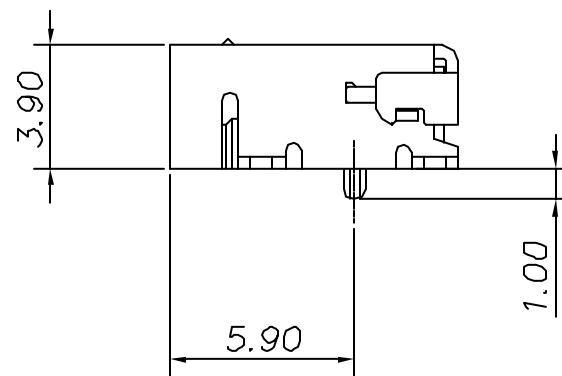
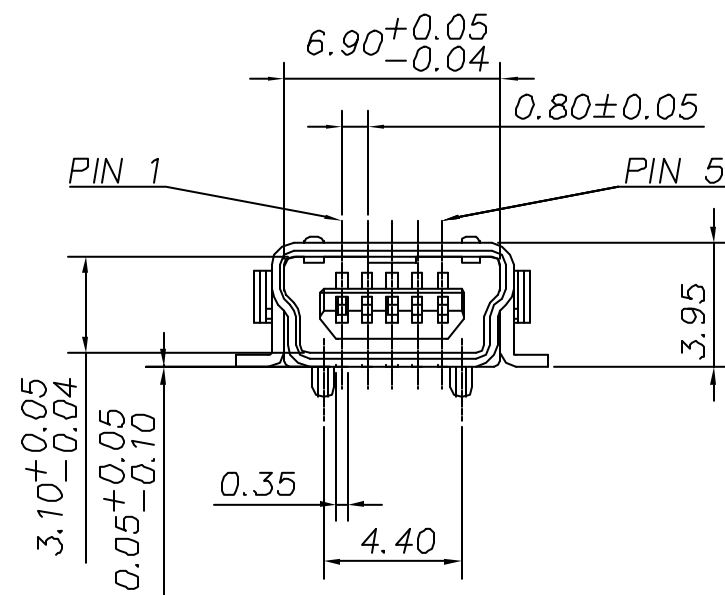
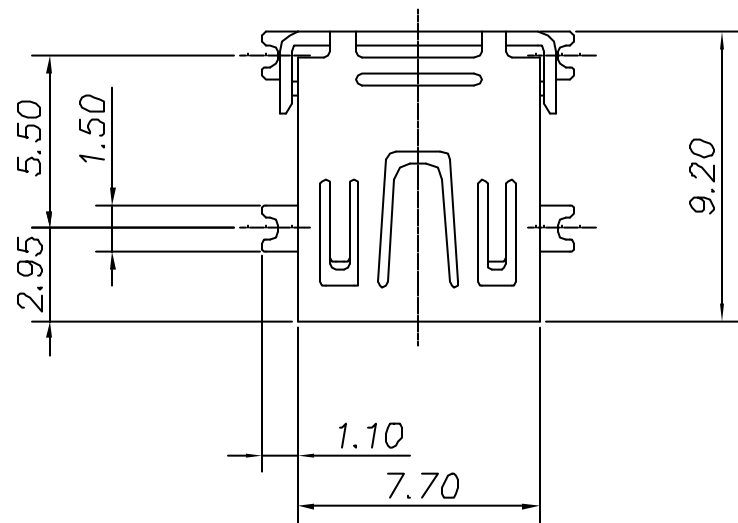


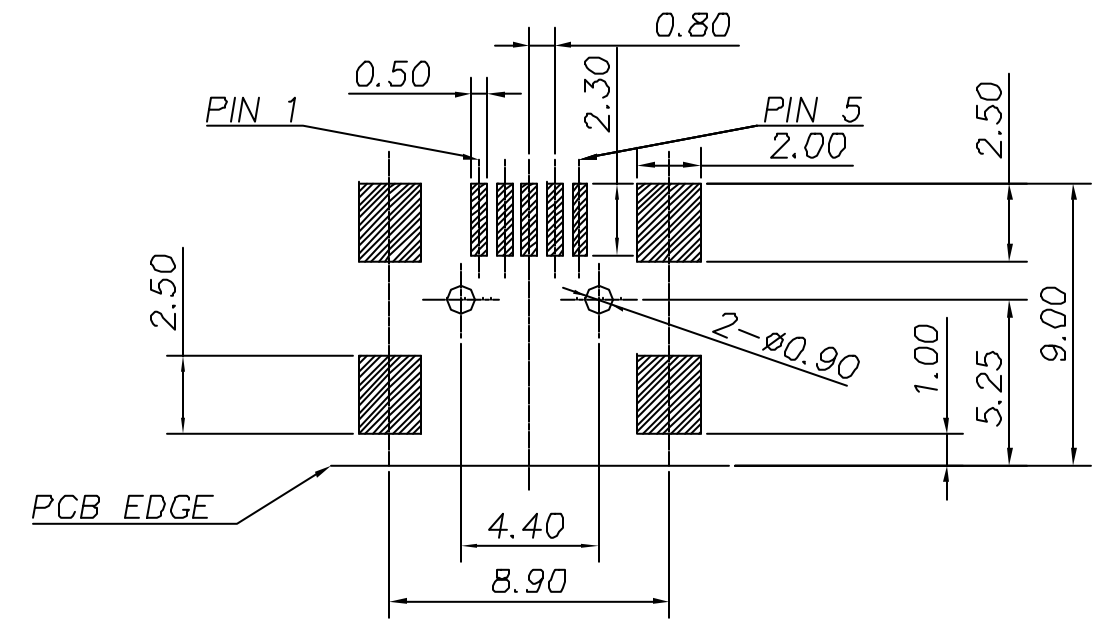
**CUSTOMER COPY**

REV.	DESCRIPTION	BY/DATE	CHECK/DATE	APPROVED/DATE
1.0	Ori.	3/Jul/01'		
1.1	Add Notes And Remove Order Information	09/17/02'		
1.2	Change Part No.	09/20/02'		



NOTES:

- 1.0. MATERIAL:
  - 1.1. HOUSING: PBT G.F. UL 94V-0
  - 1.2. CONTACT: COPPER ALLOY
  - 1.3. SHELL: STEEL
- 2.0. RATING:
  - 2.1. VOLTAGE: 30VAC(R.M.S.)
  - 2.2. CURRENT: 1.0 AMPERE MIN.
  - 2.3. TEMPERATURE: -55°C TO +105°C
- 3.0. ELECTRIC CHARACTERISTIC:
  - 3.1. CONTACT RESISTANCE: 30 MILLIOHMS MAX.
  - 3.2. INSULATION RESISTANCE: 1,000 MEGOHMS MIN.
  - 3.3. DIELECTRIC WITHSTANDING VOLTAGE: 100 VAC



PC BOARD LAYOUT

<b>General Tolerance</b>	<b>Angle Tolerance</b>	<b>Dwg</b>	<b>Date</b>	<b>COMOSS®</b> COMOSS ELECTRONIC CO., LTD. 4F., No. 11, Chung-Hsin St., ShuLin 238, Taipei, Taiwan R.O.C.
.X ±0.15	.X° ±1.0°	Gary-Huang	03/Jul/01'	
.XX ±0.10	.XX° ±0.5°	<b>Design</b>	<b>Date</b>	<b>Item</b> USB CONNECTOR
.XXX ±0.05	.XXX° ±0.2°	Gary-Huang	03/Jul/01'	
<b>SHEET:</b> 1/1		<b>CHK</b>	<b>Date</b>	USB 5PIN FEMALE MINI B PCB END RIGHT ANGLE SMT
<b>FINISH</b> SEE ORDER INFORMATION		<b>APPR</b>	<b>Date</b>	<b>Dwg. No.</b> A0008
<b>Scale</b> 4:1	<b>Unit:</b> mm			<b>Part No.</b> USB-5FCMSXXXB
				<b>SIZE</b> A3 <b>REV</b> 1.2